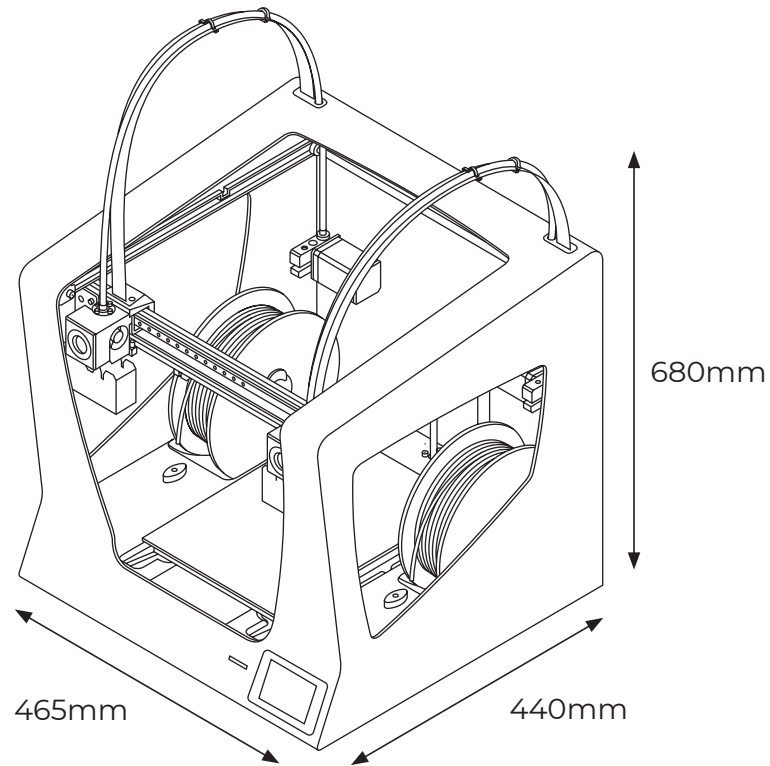


# SIGMA R19

## SPECIFICATIONS



### PRINTER PROPERTIES

Technology  
**Fused Filament Fabrication (FFF)**

Architecture  
**Independent Dual Extruder (IDEX)**

Printing volume  
**210mm x 297mm x 210mm**

Extruders  
**2**

Warranty  
**2 years for EU countries.**  
**1 year for non-EU countries.**

Extruder system  
**Extruder Bondtech™ high-tech dual drive gears.**  
**Hotends: Optimized and manufactured by e3D™.**

Printing Models  
**Duplication mode**  
**Mirror Mode**  
**Soluble Supports Mode**  
**Multimaterial Mode**

Electronics  
**BCN3D Electronics v1.0**  
**Independent Stepper Drivers**

Firmware  
**BCN3D Sigma – Marlin**

Heated bed  
**PCB**

Screen  
**Full Color Capacitive Touchscreen**

Supported files  
**gcode**

Operating Sound  
**50 dB(A)**

Nozzle diameter  
**0,3mm / 0,4mm (Standard) / 0,5mm (Special) / 0,6mm / 0,8mm / 1,0mm**

Certifications  
**CE / FCC**

Connectivity  
**SD Card (autonomous)**  
**USB**

### PHYSICAL DIMENSIONS

Overall dimensions  
**465mm x 440mm x 680mm\***  
*\*Including cables*

Weight  
**15 kg\***  
*\*Without filament spools*

Shipping box dimensions  
**550mm x 570mm x 674mm**

Shipping weight  
**21 kg**

### MATERIALS

Filament diameter  
**2,85 ± 0,05 mm**

Compatible Materials  
**PLA, NYLON, PET-G, ABS, TPU, PVA, Composites, Others**

Open Filament System  
**Yes**

### PRINTING PROPERTIES

Layer height  
**0,05 – 0,5mm\***  
*\*Depending on the nozzle diameter*

Positioning resolution (X/Y/Z)  
**1,25µm / 1,25µm / 1µm**

Operating temperature  
**15°C – 35°C**

Extruder maximum temperature  
**290°C**

Heated bed maximum temperature  
**100°C**

### SOFTWARE

File preparation software  
**BCN3D Cura**

Operative Systems  
**Windows, Mac, Linux**

Supported files  
**STL, OBJ, AMF**

### ELECTRIC PROPERTIES

Input  
**AC 84-240V, AC 3,6-1,3A, 50-60Hz**

Output  
**24V DC, 13A**

Power Consumption  
**240W**